

40W LJA-40 Series High Efficiency LED Power Supply

Features

- ▶ Universal AC input / Full range up to 305Vrms.
- ▶ Power Factor > 0.95 (@ max. Load.)
- ▶ Efficiency up to 90%.
- ▶ THD<15% at max. load, I/P=230Vrms.
- ▶ Surge protection diff. 4KV.
- ▶ Meeting lighting safety standard: UL8750 & IEC 61347.
- ▶ IP67 design for LED indoor or outdoor lighting applications.
- ▶ Protections: Short circuit / Over current / Over voltage / Over temperature.
- ▶ Dimming control (optional): 3 in 1 dimming (1~10Vdc, 10V PWM, Resistance), Timer, Smart Count Time, Time Programmable.
- ▶ Class 2 power unit, pass LPS.
- ▶ Isolation class II, no F.G.
- ▶ Free air cooling.
- ▶ 3 years warranty.



Specifications

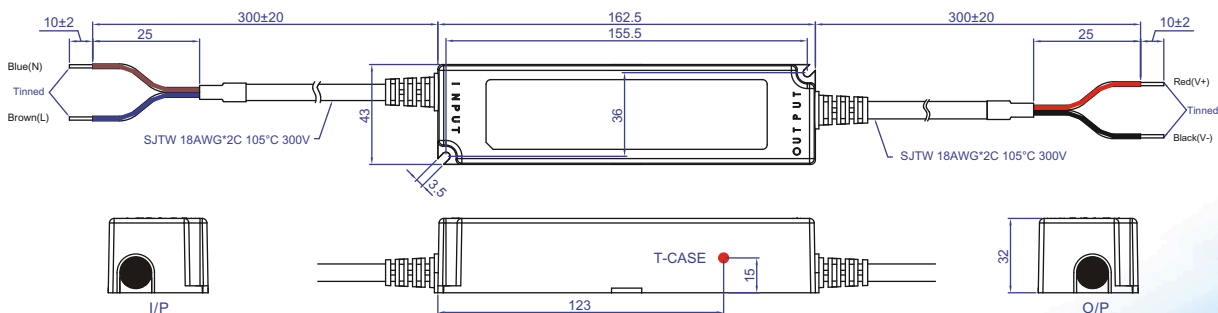
Input	Voltage rating	100~277Vrms ±10% (90~305Vrms)
	Power factor (Typ.)	PF > 0.95 at max. load, 115Vrms/230Vrms
	Inrush current (Typ.)	Cold start, 50A at 230Vrms
Environment	Operating temperature	- 40°C~+70°C (refer to output derating curve)
EMC & Safety	Withstand voltage	I/P-O/P: 3.75KVac
	Safety standards	UL8750, IEC61347-1, IEC61347-2-13
	EMC standards	EN55015, IEC61000-3-2 Class C, EN61000-3-3, -4-2,3,4,5,6,8,11, EN61547
Cable	Input wire	(UL) SJTW 18AWG×2C (30cm)
	Output wire	Type 0, D & S: (UL) SJTW 18AWG×2C (30cm) Type B: AWM VW-1 18AWG×4C (30cm)
Mechanical	Dimension/weight	162.5 (L) x 43 (W) x 32 (H) mm, Weight : 450 gram

Model No.	Max. output power	Rated Voltage	V-Adjust	Rated Current	Efficiency
LJA-40-12-XY	40.1W	12V	7.2~12V	3.34A	84%
LJA-40-15-XY	40.1W	15V	9~15V	2.67A	85%
LJA-40-20-XY	40W	20V	12~20V	2A	86%
LJA-40-24-XY	40.1W	24V	14.4~24V	1.67A	87%
LJA-40-30-XY	40.2W	30V	18~30V	1.34A	88%
LJA-40-36-XY	40.3W	36V	21.6~36V	1.12A	88%
LJA-40-42-XY	40.3W	42V	25.2~42V	0.96A	88.5%
LJA-40-48-XY	40.3W	48V	28.8~48V	0.84A	90%
LJA-40-54-XY	40.1W	54V	32.4~54V	0.76A	90%

P/N Information:

LJA - 40 - V - X Y - ○ ○ ○ ○ - □
40: Maximum output power (Watt)
V: Output voltage (Volt)
X: type of output wire, 0, B, D, S
 0= IP67 rated;
 B= IP67 rated and built-in 3 in 1 dimming;
 D= IP67 rated and Timer dimming;
 S= IP67 rated and Smart Count Time dimming.
Y: Blank, 0-9, A-Z (market purpose, factory specified)
 ○ ○ ○ ○ ○: Output current (mA)
 □: Code of import agent

LJA-40-V-A1 Dimensional Drawing



40W LJA-40 Series

60W LJA-60 Series High Efficiency LED Power Supply

Features

- ▶ Universal AC input / Full range up to 305Vrms.
- ▶ Power Factor > 0.95 (@ max. load.)
- ▶ Efficiency up to 90%.
- ▶ THD<15% at max. load, I/P=230Vrms.
- ▶ Surge protection diff. 4KV.
- ▶ Meeting lighting safety standard: UL8750 & IEC 61347.
- ▶ IP67 design for LED indoor or outdoor lighting applications.
- ▶ Protections: Short circuit / Over current / Over voltage / Over temperature.
- ▶ Free air cooling.
- ▶ Class 2 power unit, pass LPS.
- ▶ Isolation class II, no F.G.
- ▶ Dimming control (optional): 3 in 1 dimming (1~10Vdc, 10V PWM, Resistance), Timer, Smart Count Time, Time Programmable.
- ▶ 3 years warranty.



Specifications

Input	Voltage rating	100~277Vrms ±10% (90~305Vrms)
	Power factor (Typ.)	PF > 0.95 at max. load, 115Vrms/230Vrms
	Inrush current (Typ.)	Cold start, 55A at 230Vrms
Environment	Operating temperature	- 40°C~+70°C (refer to output derating curve)
EMC & Safety	Withstand voltage	I/P-O/P: 3.75kVac
	Safety standards	UL8750, IEC61347-1, IEC61347-2-13
	EMC standards	EN55015, IEC61000-3-2 Class C, EN61000-3-3, -4-2,3,4,5,6,8,11, EN61547
Cable	Input wire	(UL) SJTW 18AWG×2C (30cm)
	Output wire	Type 0, D & S: (UL) SJTW 18AWG×2C (30cm) Type B: AWM VW-1 18AWG×4C (30cm)
Mechanical	Dimension/weight	162.5 (L) x 43 (W) x 32 (H) mm, Weight : 450 gram

Model No.	Max. output power	Rated Voltage	V-Adjust	Rated Current	Efficiency
LJA-60-12-XY	60W	12V	7.2~12V	5A	86%
LJA-60-15-XY	60W	15V	9~15V	4A	87%
LJA-60-20-XY	60W	20V	12~20V	3A	88%
LJA-60-24-XY	60W	24V	14.4~24V	2.5A	89%
LJA-60-30-XY	60W	30V	18~30V	2A	89%
LJA-60-36-XY	60.1W	36V	21.6~36V	1.67A	89%
LJA-60-42-XY	60.1W	42V	25.2~42V	1.43A	89%
LJA-60-48-XY	60W	48V	28.8~48V	1.25A	90%
LJA-60-54-XY	60.5W	54V	32.4~54V	1.12A	90%

P/N Information:

LJA - 60 - V - X Y - ○ ○ ○ ○ - □

60: Maximum output power (Watt)

V: Output voltage (Volt)

X: type of output wire, 0, B, D, S

0= IP67 rated;

B= IP67 rated and built-in 3 in 1 dimming;

D= IP67 rated and Timer dimming;

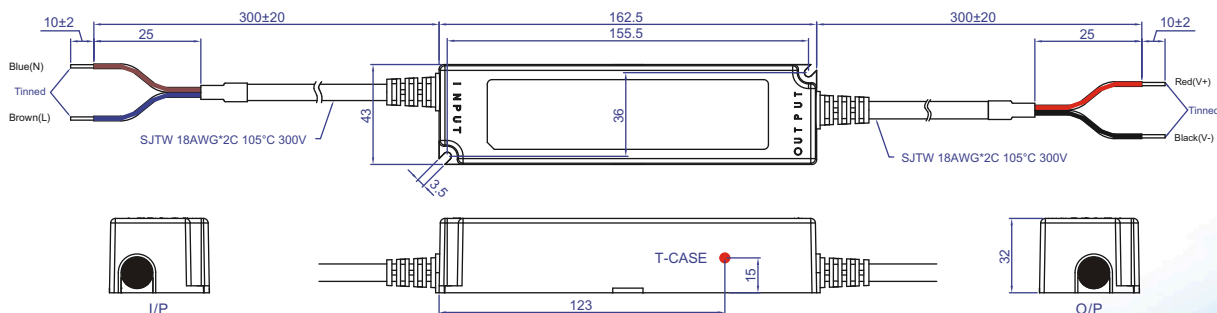
S= IP67 rated and Smart Count Time dimming.

Y: Blank, 0-9, A-Z (market purpose, factory specified)

○ ○ ○ ○: Output current (mA)

□: Code of import agent

LJA-60-V-A1 Dimensional Drawing



60W LJA-60 Series

90W LJA-90 Series High Efficiency LED Power Supply

Features

- ▶ Universal AC input / Full range up to 305Vrms.
- ▶ Power Factor > 0.96 (@ max. Load.)
- ▶ Efficiency up to 90.5%.
- ▶ THD<20% at max. load, I/P=230Vrms.
- ▶ Surge protection diff. 4KV.
- ▶ Meeting lighting safety standard: UL8750 & IEC 61347.
- ▶ IP67 design for LED indoor or outdoor lighting applications.
- ▶ Protections: Short circuit / Over current / Over voltage / Over temperature.
- ▶ Dimming control (optional): 3 in 1 dimming (1~10Vdc, 10V PWM, Resistance), Timer, Smart Count Time, Time Programmable.
- ▶ Other optional function: DALI, ZigBee.
- ▶ Isolation class II, no F.G.
- ▶ Class 2 power unit, pass LPS.
- ▶ Free air cooling.
- ▶ 3 years warranty.



Specifications

Input	Voltage rating	100~277Vrms ±10% (90~305Vrms)
	Power factor (Typ.)	PF > 0.96 at max. load, 115Vrms/230Vrms
	Inrush current (Typ.)	Cold start, 70A at 230Vrms
Environment	Operating temperature	- 40°C~+70°C (refer to output derating curve)
EMC & Safety	Withstand voltage	I/P-O/P: 3.75KVac, I/P-FG: 1.5KVac, O/P-FG: 0.5KVac
	Safety standards	UL8750, IEC61347-1, IEC61347-2-13
	EMC standards	EN55015, IEC61000-3-2 Class C, EN61000-3-3, -4-2,3,4,5,6,8,11, EN61547
Cable	Input wire	(UL) SJTW 18AWG×2C (30cm)
	Output wire	Type 0, D & S: (UL) SJTW 18AWG×2C (30cm) Type B: AWM VW-1 18AWG×4C (30cm)
Mechanical	Dimension/weight	161 (L) x 61 (W) x 36 (H) mm, Weight : 650 gram

Model No.	Max. output power	Rated Voltage	V-Adjust	Rated Current	Efficiency
LJA-90-12-XY	60W	12V	7.2~12V	5A	87.5%
LJA-90-15-XY	75W	15V	9~15V	5A	89%
LJA-90-20-XY	90W	20V	12~20V	4.5A	89.5%
LJA-90-24-XY	90W	24V	14.4~24V	3.75A	90%
LJA-90-30-XY	90W	30V	18~30V	3A	90.5%
LJA-90-36-XY	90W	36V	21.6~36V	2.5A	90.5%
LJA-90-42-XY	90.3W	42V	25.2~42V	2.15A	90.5%
LJA-90-48-XY	90.24W	48V	28.8~48V	1.88A	90.5%
LJA-90-54-XY	90.18W	54V	32.4~54V	1.67A	90.5%

P/N Information:

LJA - 90 - V - X Y - ○ ○ ○ ○ - □

90: Maximum output power (Watt)

V: Output voltage (Volt)

X: type of output wire, 0, B, D, S

0= IP67 rated;

B= IP67 rated and built-in 3 in 1 dimming;

D= IP67 rated and Timer dimming;

S= IP67 rated and Smart Count Time dimming.

Y: Blank, 0-9, A-Z (market purpose, factory specified)

○ ○ ○ ○ : Output current (mA)

□: Code of import agent

LJA-90-V-A1

Dimensional Drawing

